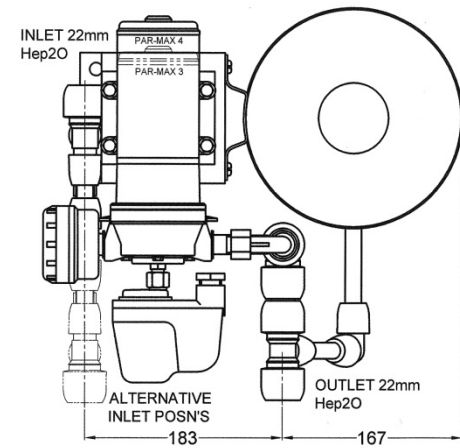


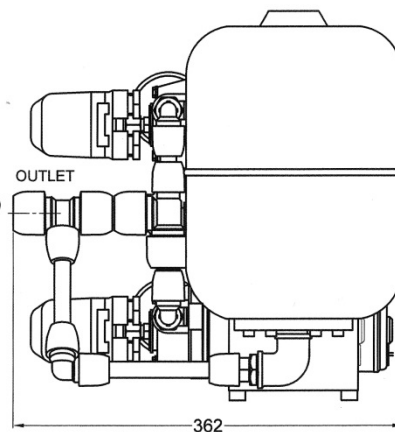
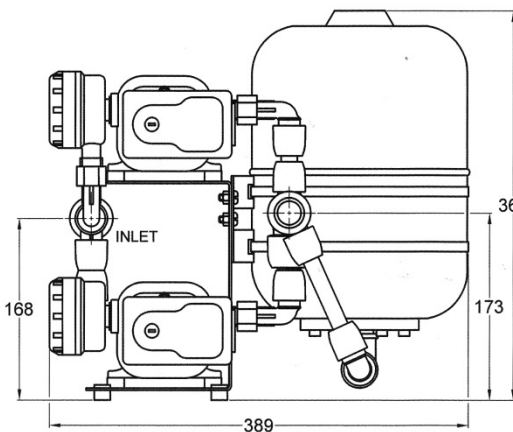
**Large boats** with multiple fresh water outlets have conventionally used a single large pressurised water pump, sized to cope with maximum water demand. This gives rise to a high starting current and a heavy battery load, every time the pump starts, even when only one tap is opened.

**TWIN-MAX** offers savings all-round!

- ◆ Two of JABSCO's proven and popular 'PAR-MAX' high flow pumps in a single compact, lightweight unit.
- ◆ Ultra-simple to install, using 22mm Hep20 push-fit pipework
- ◆ Automatic switching cuts in second pump only when needed to meet high demand, saving pump wear and battery drain
- ◆ Built-in back-up: each pump can operate alone if necessary
- ◆ Heavy duty adjustable pressure switches
- ◆ Inlet connector swivels to suit your installation



TWIN-MAX SYSTEM 3 + 8  
 CW427 = 12V d.c.  
 CW428 = 24V d.c.  
 TWIN-MAX SYSTEM 4 + 8  
 CW429 = 12V d.c.  
 CW430 = 24V d.c.  
 APPROXIMATE DIMENSIONS IN mm  
 THIRD ANGLE PROJECTION



	Model Number	Volts dc	Amp draw per pump	Fuse Amps each pump		Upper pump	Lower Pump
Twin Max 3+8	CW427	12	5.5	10	Cut-in pressure	18 psi (1.2 bar)	15 psi (1 bar)
	CW428	24	2.7	5	Cut-out pressure	25 psi (1.7 bar)	30 psi (2 bar)

Twin Max 4+8	CW429	12	7	15	Cut-in pressure	18 psi (1.2 bar)	15 psi (1 bar)
	CW430	24	4	7	Cut-out pressure	25 psi (1.7 bar)	30 psi (2 bar)

# CLEGHORN WARING

## TWIN-MAX 3+8 TWIN-MAX 4+8 PRESSURISED WATER SYSTEM 12 AND 24 VOLTS DC



- ◆ **Twin-Max 3+8** up to 28 litres/minute (6 gall/min)  
**Twin-Max 4+8** up to 32 litres/minute (7 gall/min) for multiple outlets in larger boats
- ◆ Single pump operation saves battery when demand is low
- ◆ Twin pumps boost flow automatically when demand is high
- ◆ Easy to fit – pre-assembled for ultra-simple installation

Xylem Water Solutions UK Ltd  
 Bingley Road  
 Hoddesdon  
 Hertfordshire • EN11 0BU • UK

Telephone: +44 (0)1462 480380  
 Fax: +44 (0)1462 482422  
 mail@cleghorn.co.uk  
 www.jabscoshop.com

**xylem**  
 Let's Solve Water